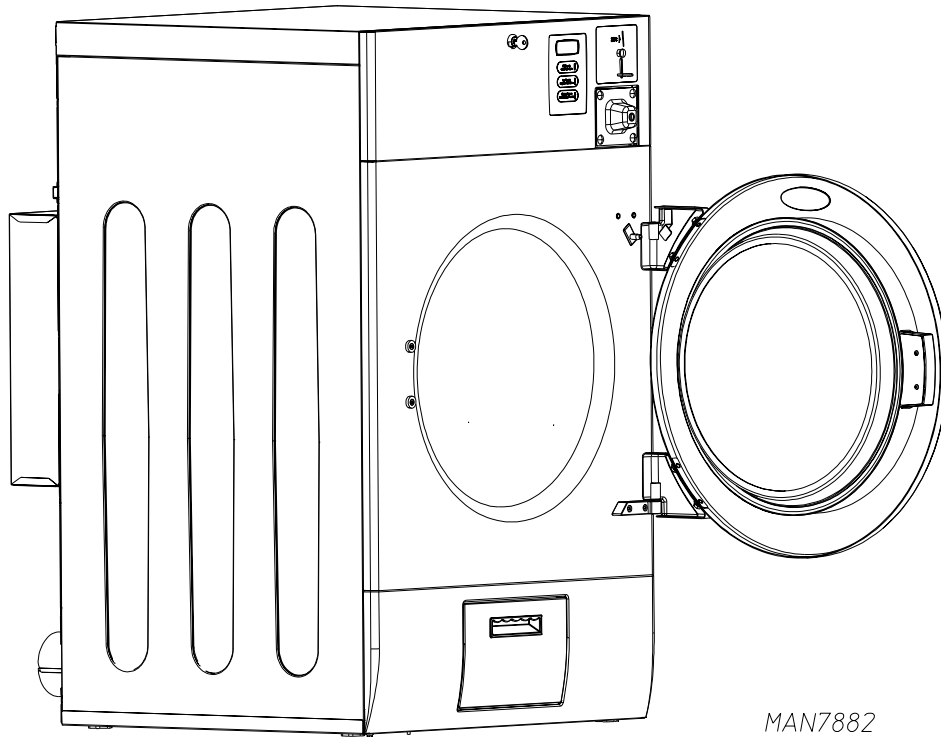


CROSSOVER

In a class by itself



MAN7882

DAWF0 and DAWS0 SERIES DRYERS

◀ DRYER PARTS MANUAL ▶

Doc. No. 450339
Rev. 38.2013

Laundrylux

461 Doughty Boulevard
Inwood, NY 11096-0338
www.laundrylux.com
Service: (516) 371-0700
Parts: (516) 371-2000

Retain This Manual In A Safe Place For Future Reference

This product embodies advanced concepts in engineering, design, and safety. If this product is properly maintained, it will provide many years of safe, efficient, and trouble free operation.

ONLY properly licensed technicians should service this equipment.

OBSERVE ALL SAFETY PRECAUTIONS displayed on the equipment or specified in the installation manual included with the dryer.

The following “FOR YOUR SAFETY” caution must be posted near the dryer in a prominent location.

FOR YOUR SAFETY

Do not store or use gasoline or other flammable vapors and liquids in the vicinity of this or any other appliance.

POUR VOTRE SÉCURITÉ

Ne pas entreposer ni utiliser d'essence ni d'autres vapeurs ou liquides inflammables à proximité de cet appareil ou de tout autre appareil.

We have tried to make this manual as complete as possible and hope you will find it useful. The manufacturer reserves the right to make changes from time to time, without notice or obligation, in prices, specifications, colors, and material, and to change or discontinue models.

Important

For your convenience, log the following information:

DATE OF PURCHASE _____ MODEL NO. _____

RESELLER'S NAME _____

Serial Number(s) _____

Replacement parts can be obtained from your reseller or the factory. When ordering replacement parts from the factory, you can FAX your order to Laundrylux at (516) 371-4029 or telephone your order directly to the Parts Department at (516) 371-2000. Please specify the dryer model number and serial number in addition to the description and part number, so that your order is processed accurately and promptly.

The illustrations on the following pages may not depict your particular dryer exactly. The illustrations are a composite of the various dryer models. Be sure to check the descriptions of the parts thoroughly before ordering.

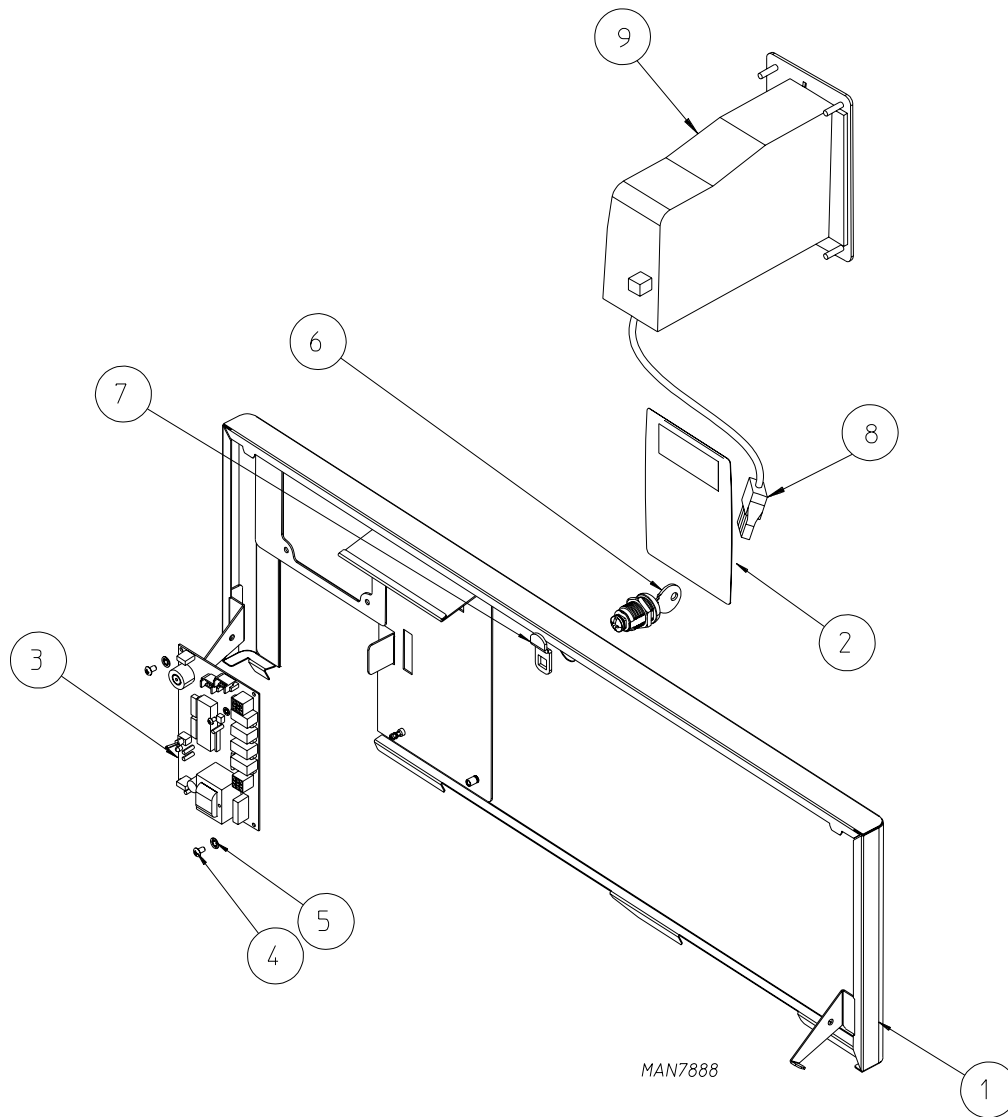
“IMPORTANT NOTE TO PURCHASER”

Information must be obtained from your local gas supplier on the instructions to be followed if the user smells gas. These instructions must be posted in a prominent location near the dryer.

Table of Contents

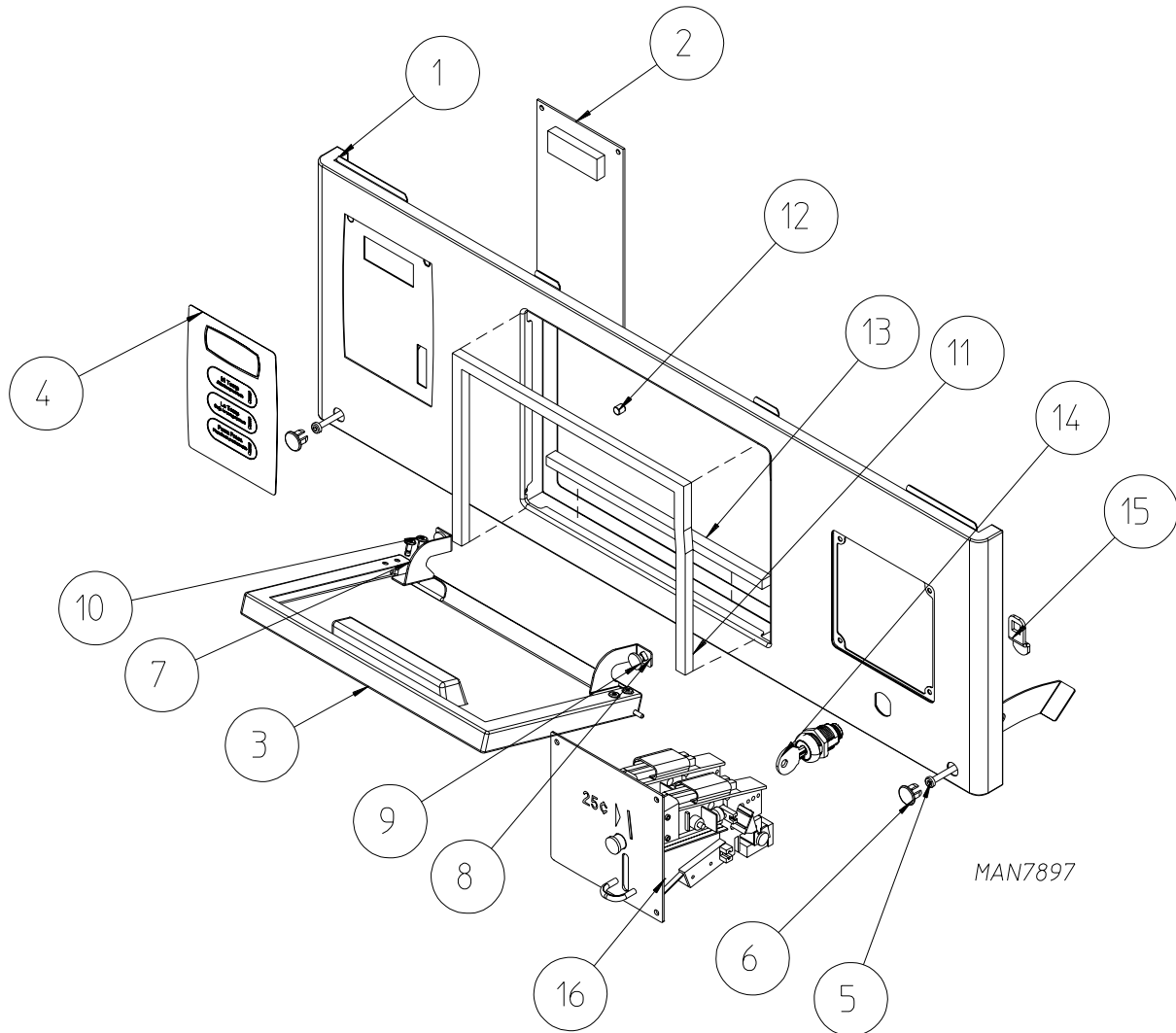
Control Door Assembly for Top Controls	4
Control Door Assembly for Bottom Controls	5
Lint Door Assembly	6
Main Door Assembly	7
Front Panel Assembly	8
Lint Box / Screen	9
Tumbler Assembly	10
Motor and Fan Assembly	11
Gas Burner Assembly	12
Electric Oven Assembly	13
Gas Rear Electrical Panel	14
Electric Heat Rear Electrical Panel	15
Back Panel and Guards	16
Machine Overview and Additional Parts	17

Control Door Assembly for Top Controls



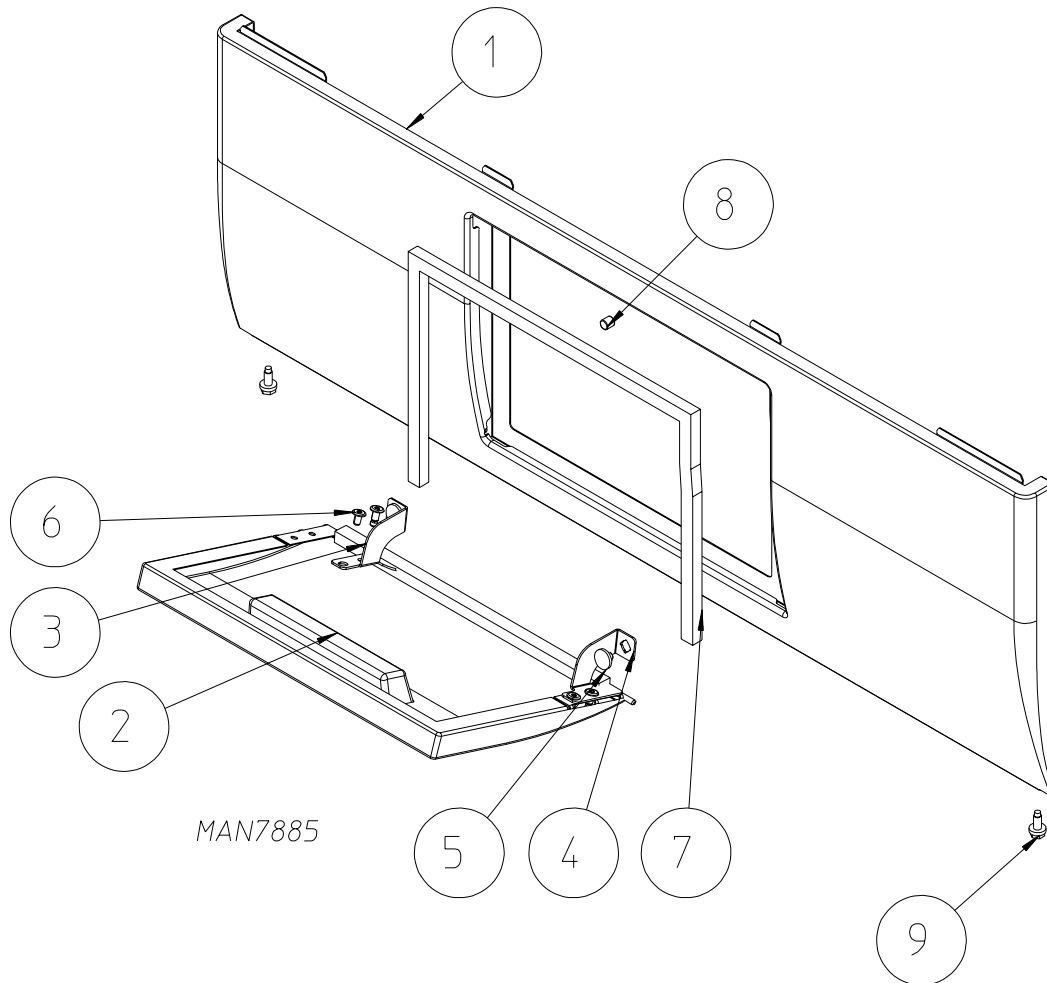
Illus. No.	Part No.	Qty.	Description
1	816281	1	Control Door
	815509	1	Non-Coin Control Face Plate ... Not Illustrated
	816339	1	Debit Card Face Plate ... Not Illustrated
2	185694	1	Keypad
3	137213	1	Phase 5 Computer
4	150005	2	#6-32 x 1/4" Phillips Round Head Machine Screw
5	153010	2	#6 Internal Star Washer
6	160015	1	MK-100 Lock with Hardware
7	160052	1	1" Cam with 3/16" Offset
8	881143	1	Optic Switch Assembly
9	815490	1	25¢ Coin Acceptor with Optic Switch

Control Door Assembly for Bottom Controls

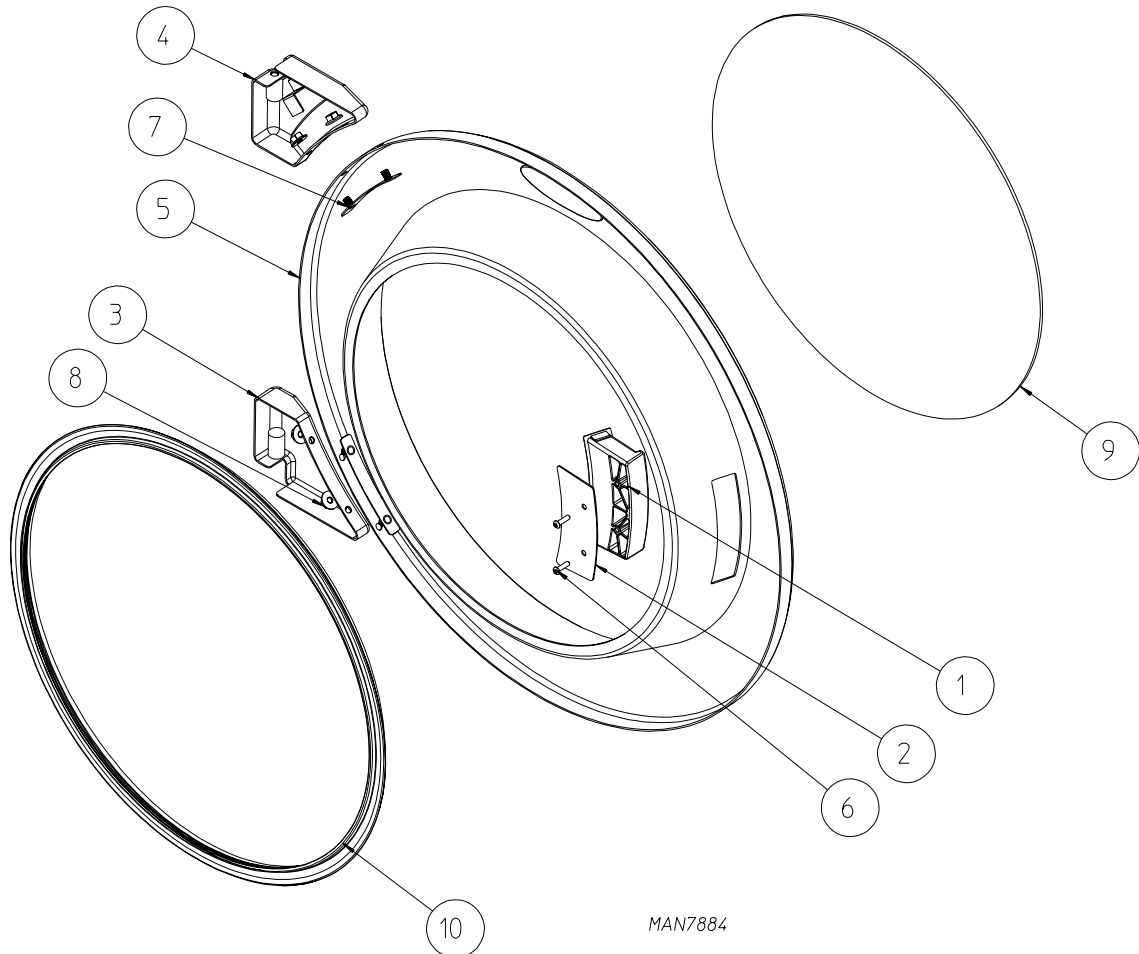


<u>Illus. No.</u>	<u>Part No.</u>	<u>Qty.</u>	<u>Description</u>
1	817517	1	Toe Panel
	884450	1	Toe Panel Assembly (includes illus. nos. 1 and 3 through 15)
2	137213	1	Computer
3	817493	1	Lint Door Assembly
4	185694	1	Keypad
5	150336	2	#8-18 x 1-1/4" Pan Head TORX® Screw
6	121484	2	White Plastic Plug
7	817492	1	Left Lint Door Catch Bracket
8	817494	1	Right Lint Door Catch Bracket
9	102367	2	Rubber Stem Bumper
10	154205	4	5/32" x 1/4" Stainless Steel Rivet
11	117617	1	Lint Door Seal
12	170608	1	1/4" x 1/4" Nickel Plated Magnet
13	117617	1	Lint Door Bottom Seal
14	160015	1	MK-100 Lock with Hardware
15	160052	1	1" Cam with 3/16" Offset
16	815490	1	25¢ Coin Acceptor
	881143	1	Optic Switch Assembly ... Not Illustrated

Lint Door Assembly

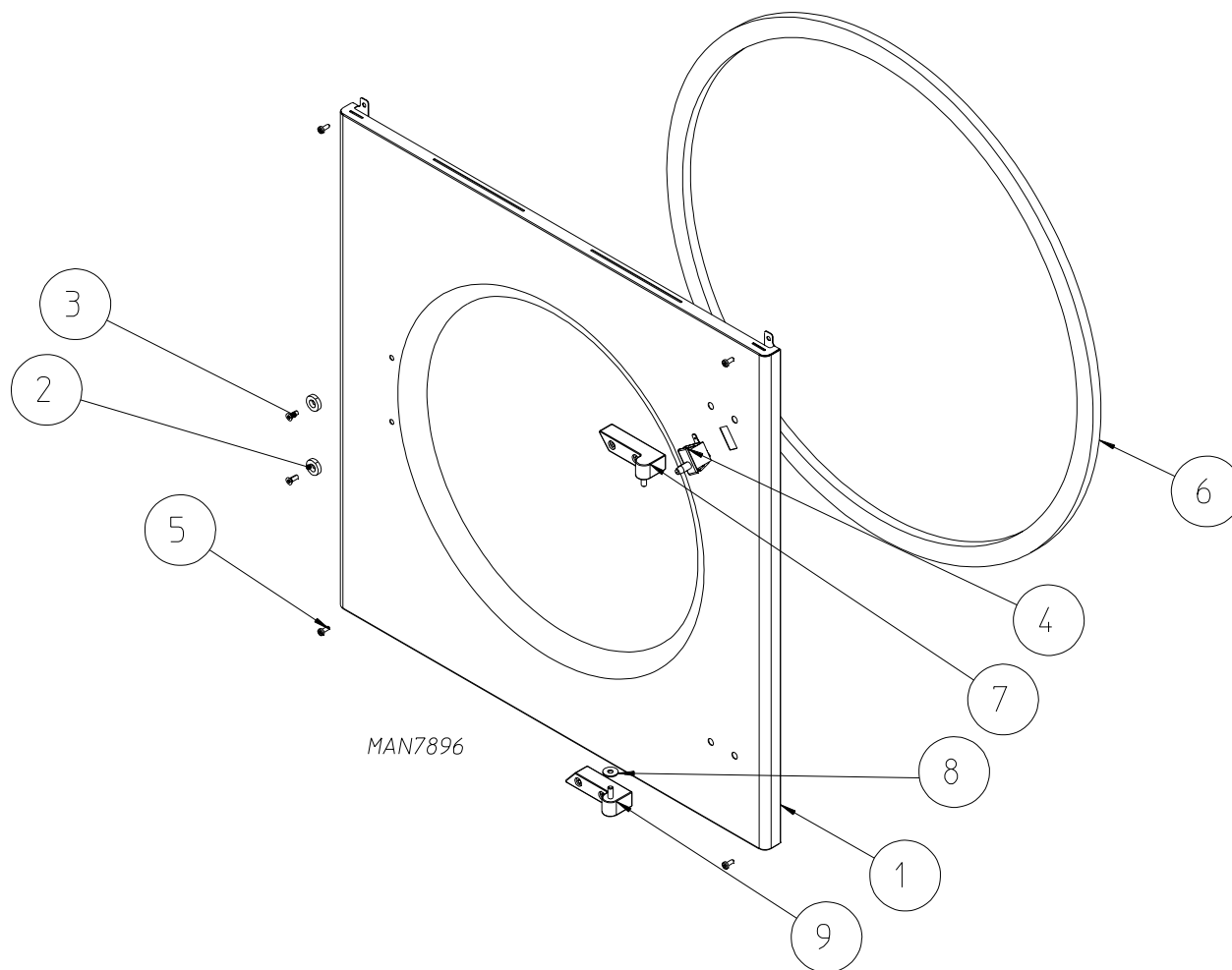


<u>Illus. No.</u>	<u>Part No.</u>	<u>Qty.</u>	<u>Description</u>
1	816272	1	Toe Panel
	816273	1	Toe Panel Assembly (includes illus. nos. 1 through 9)
2	816276	1	Lint Door Assembly
3	816274	1	Lint Door Left Hinge
4	816275	1	Lint Door Right Hinge
5	102367	2	Rubber Stem Bumper
6	154205	4	5/32" x 1/4" Stainless Steel Rivet
7	117617	1	Lint Door Seal
8	170608	1	1/4" x 1/4" Nickel Plated Magnet
9	150300	2	#10-16 x 1/2" Hex Washer TEK Screw

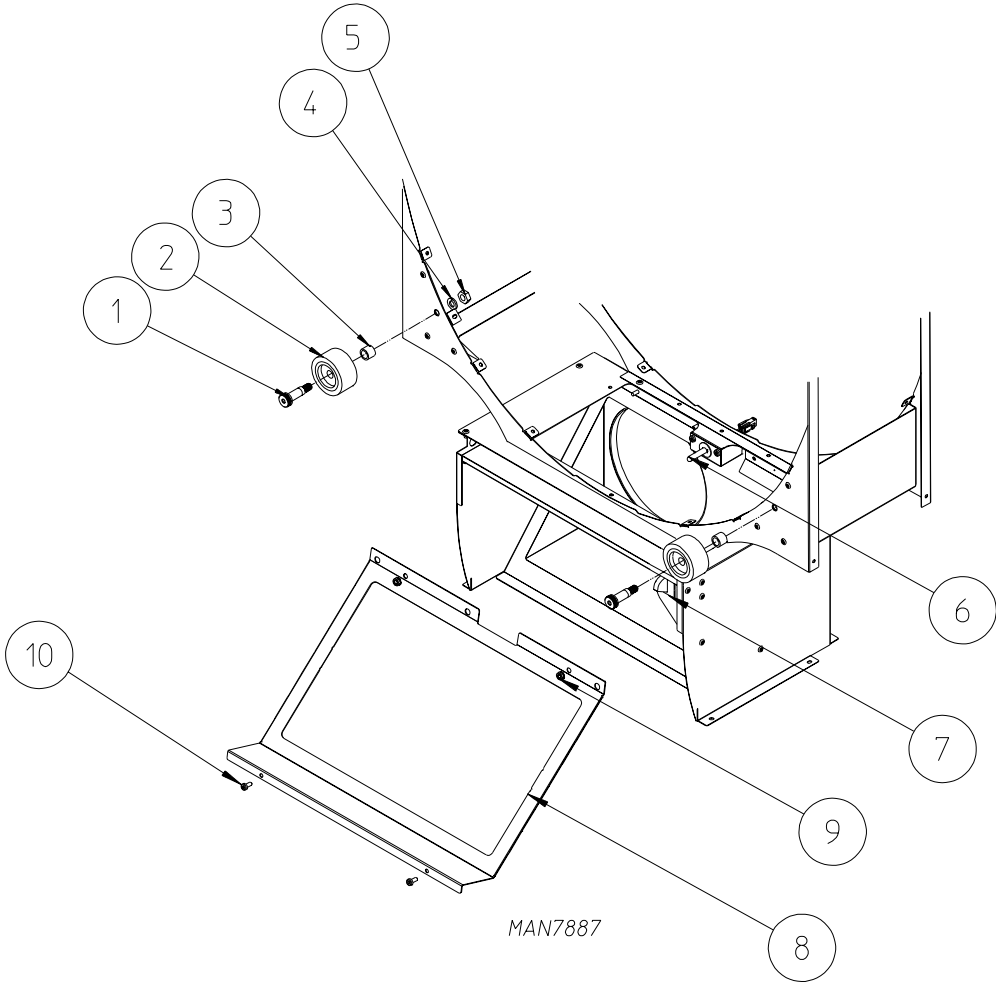


Illus. No.	Part No.	Qty.	Description
1	185691	1	Door Handle
2	320884	1	Main Door Magnet Catch
3	816269	1	Bottom Right Hinge Pad
4	816268	1	Top Right Hinge Pad
5	816270	1	Main Door Assembly (includes illus. nos. 1 through 10)
6	150334	2	#8-16 x 5/8" Phillips Pan Head Plastic Screw
7	816271	2	Main Door Stud Mounting Plate Stud Assembly
8	152014	4	1/4-20 Free Spin Wash Nut
9	185687	1	Main Door Glass
	170731	1	Glass Adhesive ... Not Illustrated
10	185695	1	Door Gasket

Front Panel Assembly

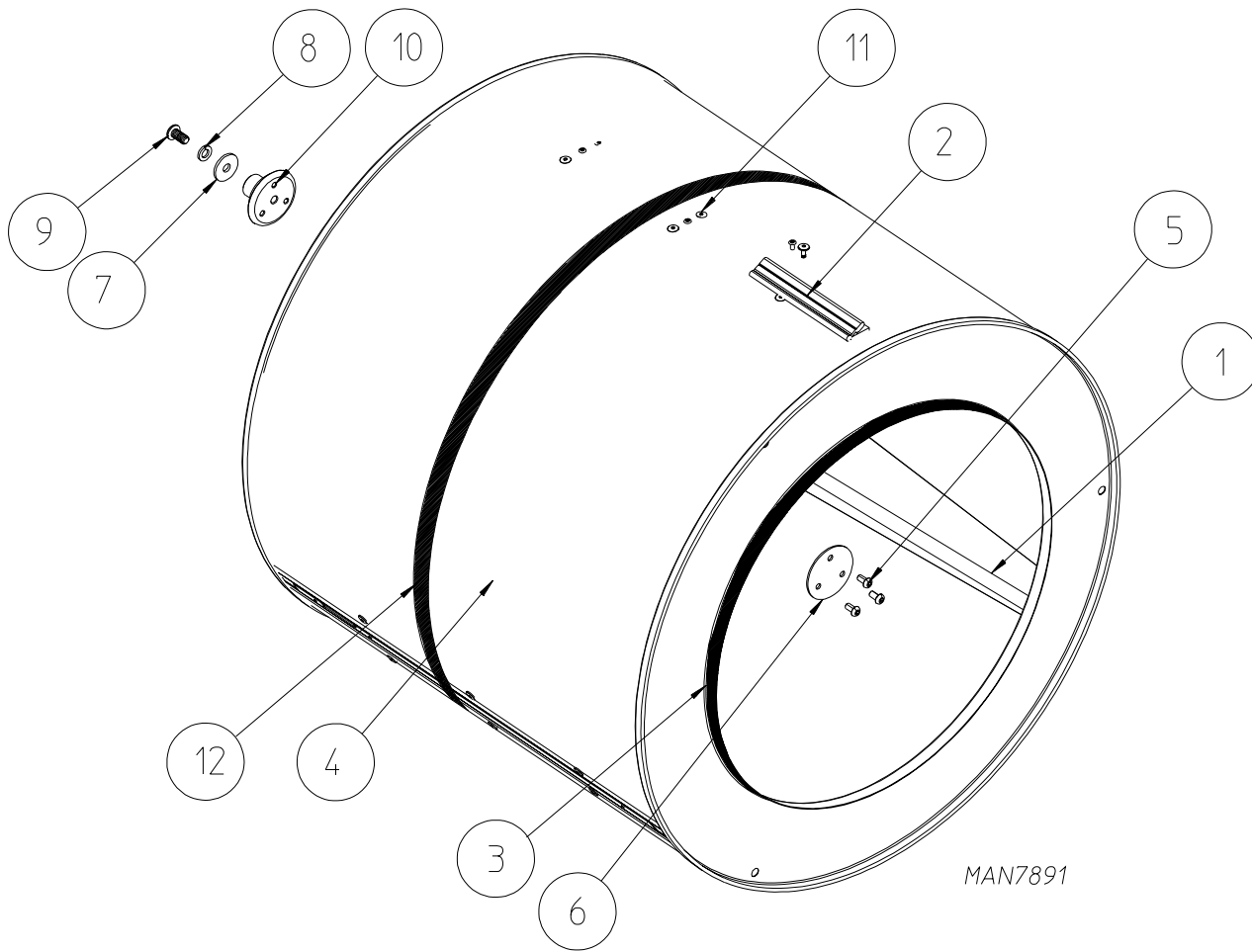


<u>Illus. No.</u>	<u>Part No.</u>	<u>Qty.</u>	<u>Description</u>
1	816279	1	Cold Rolled Steel Front Panel Assembly (includes illus. nos. 1 through 6)
2	102004	2	Compact Door Magnet
3	152223	2	#10-32 x 1/2-6 Lobe Flat Undercut Head Machine Screw
4	122116	1	24V Door Switch
5	150331	4	#8-18 x 1/2" Pan Head TORX® Screw
6	117619	1	Front Panel Foam Gasket
7	816278	1	Upper Hinge Block
8	153031	1	1/4" Nylon Washer
9	816277	1	Lower Hinge Block

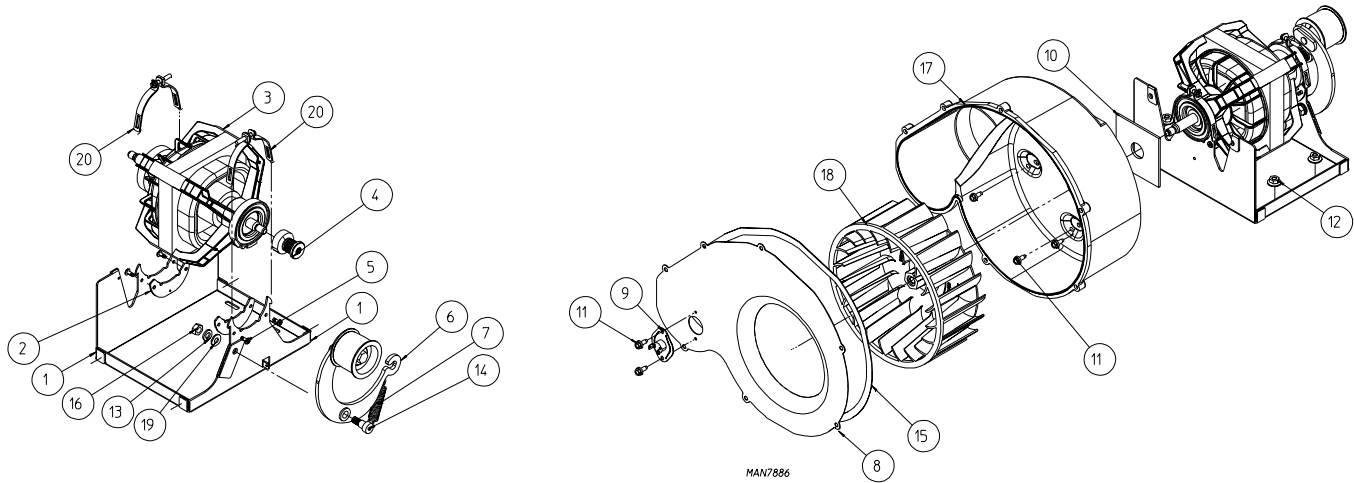


Illus. No.	Part No.	Qty.	Description
1	154264	2	10-M8 x 25mm Shoulder Screw Black Oxide
2	180050	2	Tumbler Wheel
3	154284	2	Tumbler Wheel Spacer
4	153002	2	5/16" Lock Washer
5	154013	2	M8 Hex Nut
6	817639	1	Temperature Probe Assembly
7	122002	1	Lint Switch
8	817638	1	Lint Screen
9	153073	2	#8-32 KEPS Nut
10	150331	2	#8-18 x 1/2" T40 TORX® Screw

Tumbler Assembly

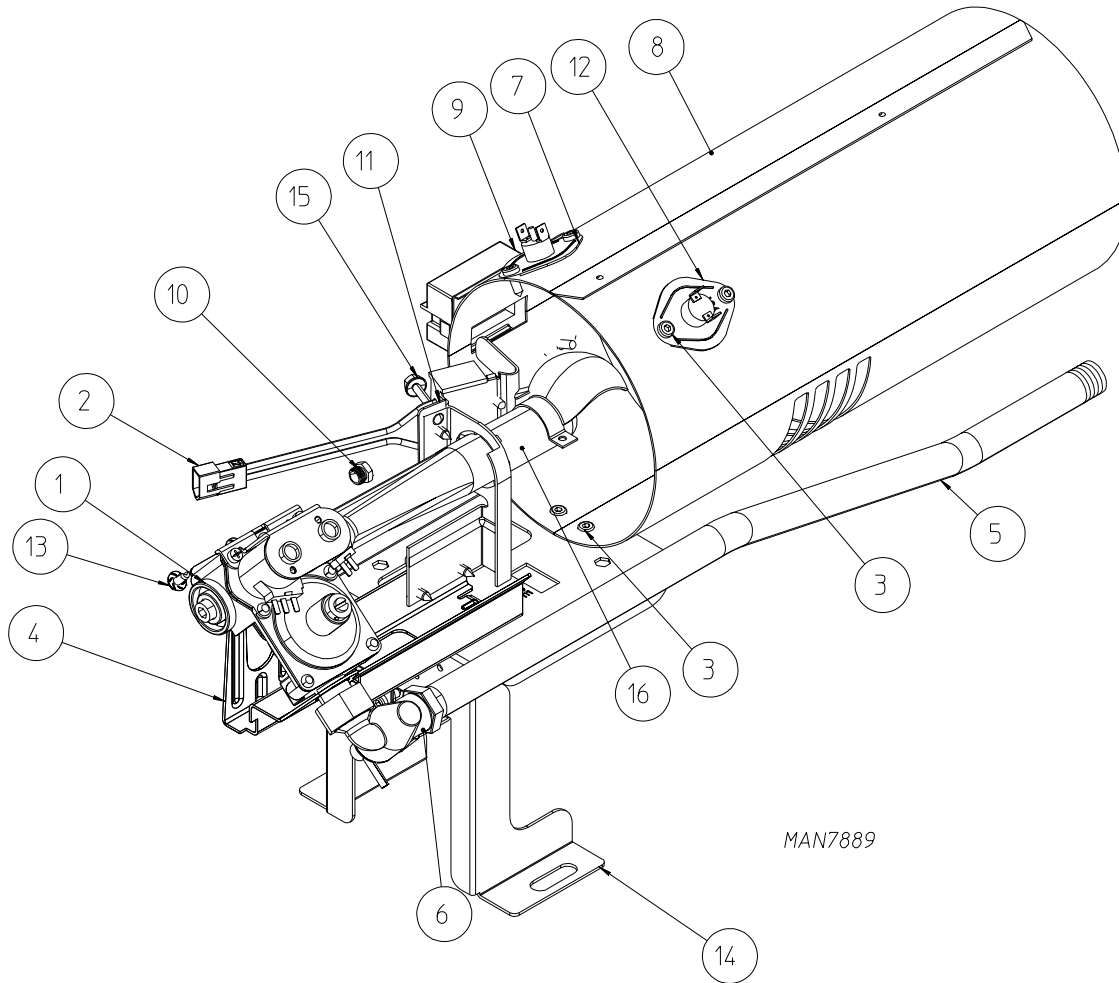


<u>Illus. No.</u>	<u>Part No.</u>	<u>Qty.</u>	<u>Description</u>
1	320936	1	Small Tumbler Rib
	320937	2	Large Tumbler Rib
2	115923	1	Tumbler Sweeper Felt
3	115906	2	Tumbler Felt
4	816381	1	Galvanized Tumbler Assembly (includes illus. nos. 1 through 11)
5	150126	3	1/4-20 x 1/2" Socket Button Head Cap Screw with Nylon Patch
6	350334	1	Tumbler Rear Hub Flat Washer
7	346029	1	Tumbler Bolt Stainless Steel Washer
8	153005	1	3/8" Lock Washer
9	184241	1	3/8-16 x 3/4" Button Head Socket Cap Screw with Nylon Patch
10	321015	1	Tumbler Shaft
11	154210	24	5/32" x 3/16" Pop Rivet
12	102424	1	6 Groove Stretch Belt

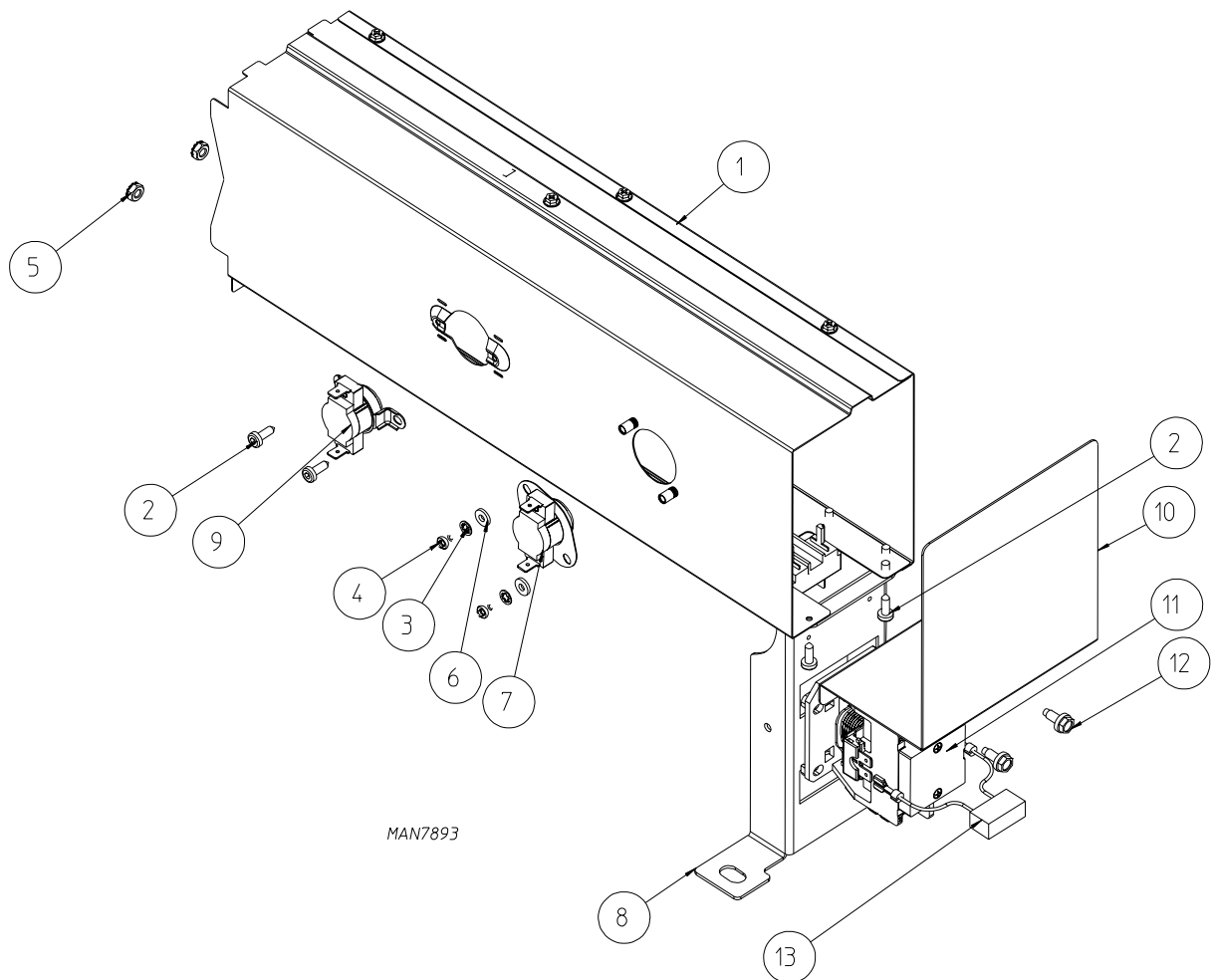


<u>Illus. No.</u>	<u>Part No.</u>	<u>Qty.</u>	<u>Description</u>
1	816319	1	Motor Mount
2	320849	2	Motor Shim
3	181063	1	120 Volt Motor 60 Hz
	181151	1	208-240 Volt Motor 60 Hz
4	320842	1	Drive Motor Sheave
5	154205	4	5/32" x 1/4" Stainless Steel Rivet
6	817498	1	Idler Roller Arm Assembly
7	157017	1	Extension Spring
8	320892	1	Blower Housing
9	130100	1	L150 Auto Reset Hi-Limit (for gas heat)
	130107	1	L160 Auto Reset Hi-Limit (for electric heat)
10	116010	1	Felt Motor Seal
11	150300	5	#10-16 x 1/2" Hex Washer TEK Screw
12	152014	4	1/4-20 Serrated Hex Flange Nut
13	153002	1	5/16" Lock Washer
14	154266	1	3/8" x 3/8" Shoulder Bolt
15	117617	3	3/8" x 5/16" Foam Tape
16	152004	1	5/16-18 Hex Nut
17	100685	1	Blower Housing
18	100686	1	Blower Fan
19	153018	1	1/4 Flat Washer
20	185692	2	Motor Clamp

Gas Burner Assembly

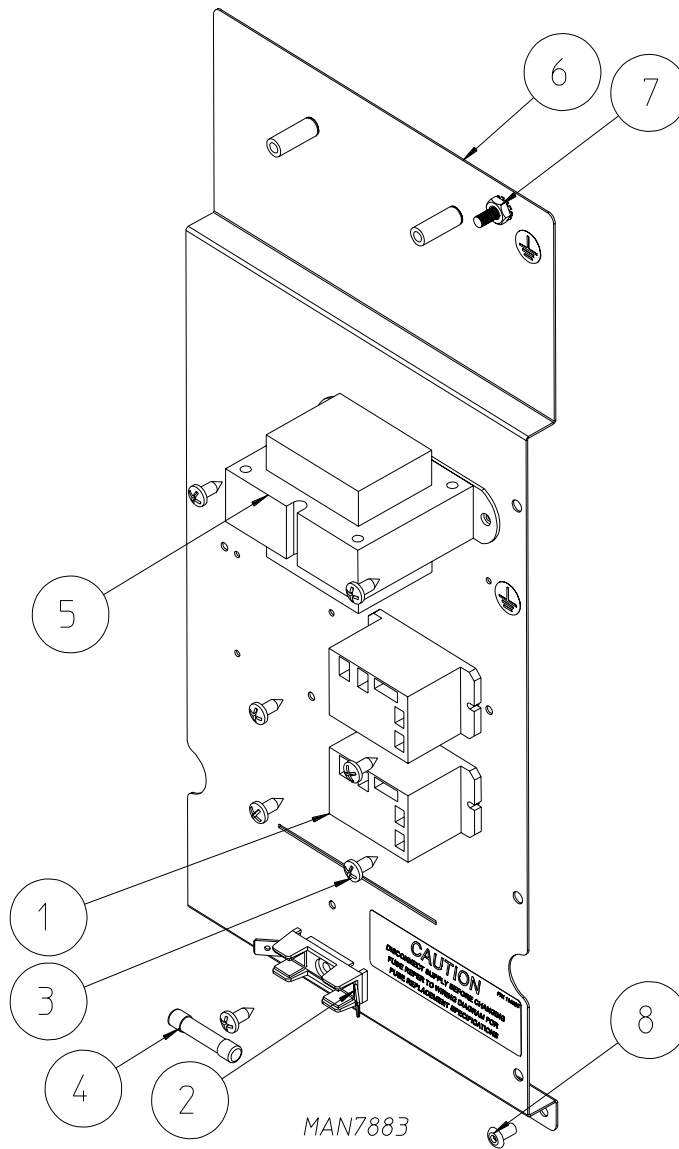


<u>Illus. No.</u>	<u>Part No.</u>	<u>Qty.</u>	<u>Description</u>
1	128944	1	Gas Valve 120VAC 60 Hz Natural Gas
	887263	1	Gas Valve 120VAC 60 Hz Liquid Propane Gas
2	128910	1	Glo-Bar
3	150331	10	#8-18 x 1/2" Pan Head TORX® Screw
4	185061	1	Hot Surface Ignition Burner Base
5	185179	1	Gas Pipe
6	141318	1	3/8" 90° Union Shutoff
7	130301	1	225° F Manual Reset Thermostat
8	313914	1	Gas Train Burner Tube
9	130500	1	Flame Sensor
10	140910	1	#40 Orifice
11	185063	1	Hot Surface Ignition Igniter Bracket
12	130102	1	190° F Auto Reset Thermostat
13	152209	3	Serrated Hex Washer Head Tapping Screw
14	318979	1	Gas Train Support Bracket
15	183145	1	Glo-Bar Mounting Screw with Copper Washer
16	183144	1	Inshot Hot Surface Ignition Tube

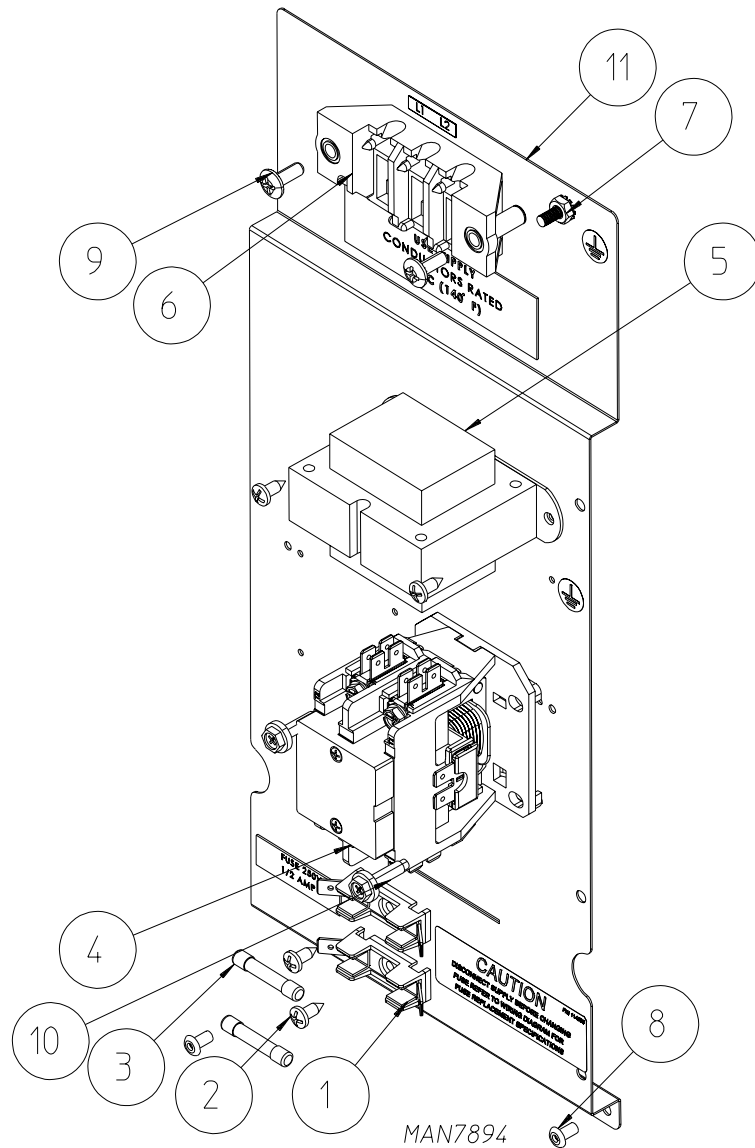


Illus. No.	Part No.	Qty.	Description
1	119998	1	Electric Oven Assembly
2	150331	4	#8-18 x 1/2" Pan Head TORX® Screw
3	153010	2	#6 Internal Star Washer
4	150005	2	#6-32 x 1/4" Phillips Round Head Machine Screw
5	153073	2	#8-32 Keps Nut
6	153017	2	#6 SAE Washer
7	183149	1	250° Hi-Limit Thermostat Auto Reset
8	318869	1	Electric Oven Bracket
9	130125	1	350° F Thermal Cutout
10	320954	1	Heat Shield
11	132498	1	24V 2-Pole DP Contactor
12	150300	2	#10-16 x 1/2" Head Washer TEK Screw
13	824828	1	RC Network with Connector

Gas Rear Electrical Panel

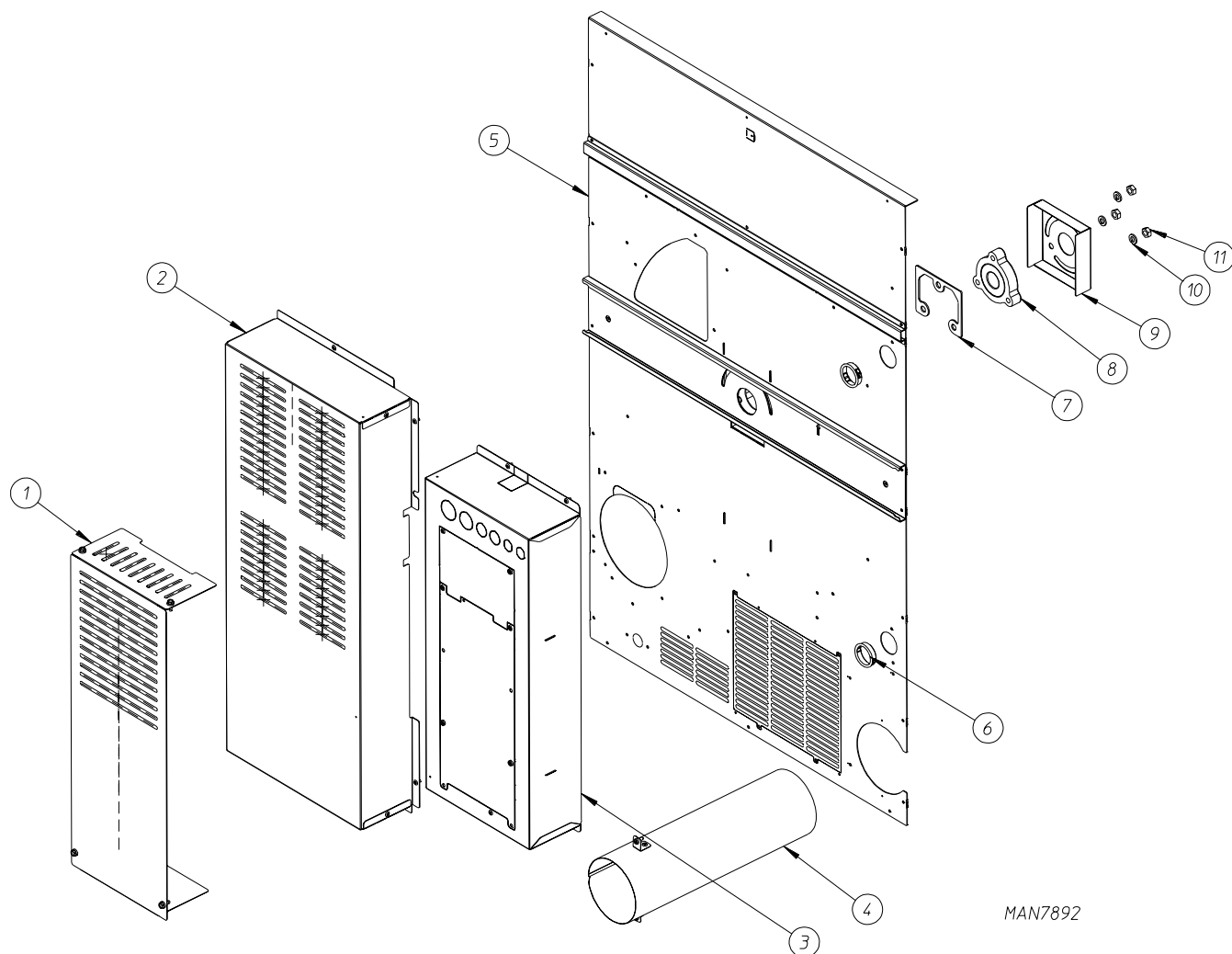


Illus. No.	Part No.	Qty.	Description
1	131406	2	Relay SPDT 24 VAC Panel Mount
2	136008	1	Fuse Holder
3	150301	7	#8-18 x 7/16" Phillips Pan Head TEK Screw
4	136049	1	3/4-Amp Slo-Blo Fuse
5	803058	1	Transformer Assembly
6	816397	1	Electric Panel Stud Assembly
7	153073	1	#8-32 Keps Nut
8	154200	2	5/32" Pop Rivet



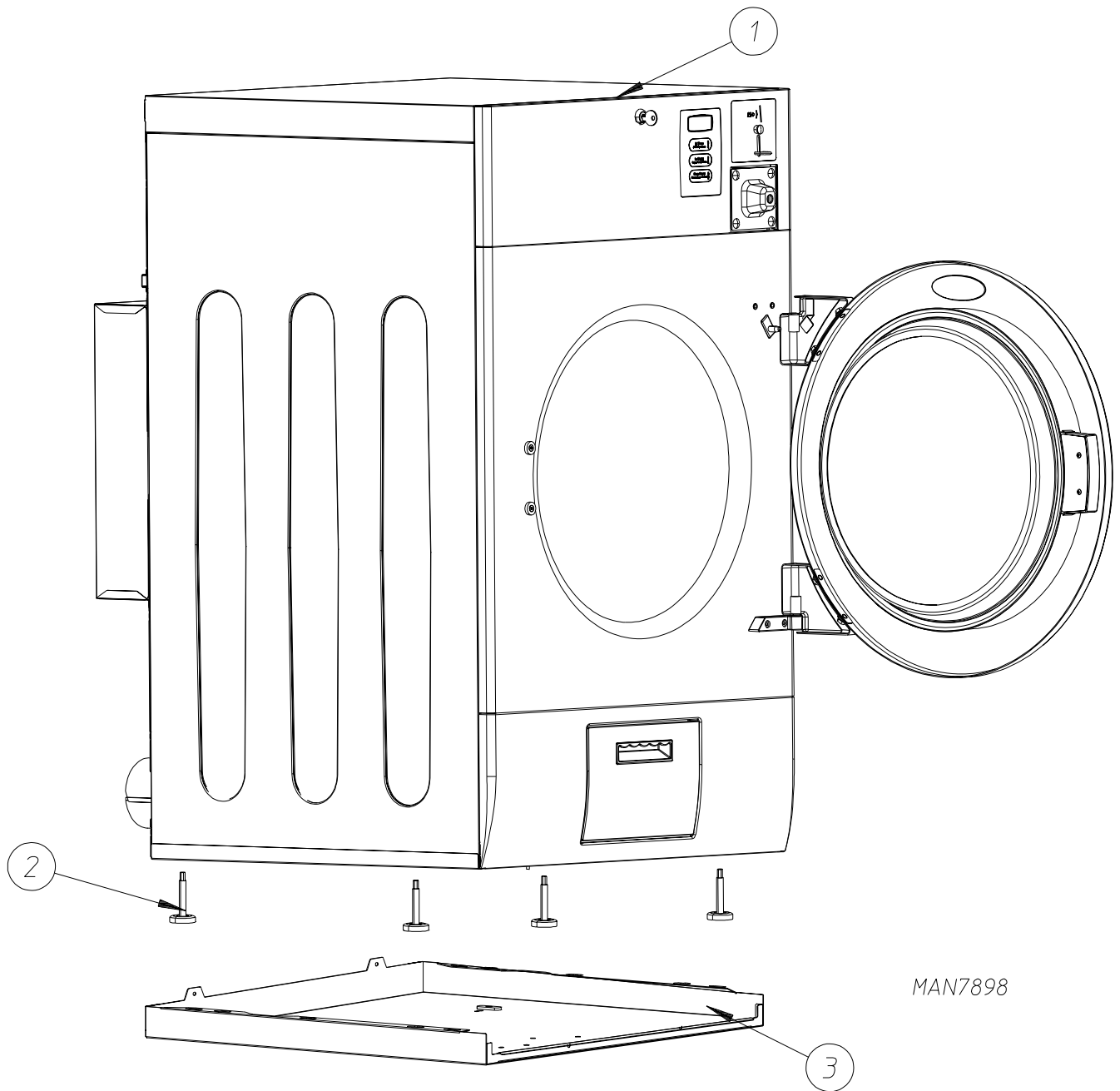
Illus. No.	Part No.	Qty.	Description
1	136008	2	Fuser Holder
2	150301	4	#8-18 x 7/16" Phillips Pan Head TEK Screw Plated
3	136057	2	1/2-Amp Slo-Blo Fuse
4	132498	1	24V 2-Pole DP Contactor
5	803058	1	Transformer Assembly
6	120759	1	PL20 Electric Terminal Block
7	153073	1	#8-32 KEPS Nut
8	154200	2	5/32" Pop Rivet
9	150321	2	#10-32 x 1/2" Phillips MS
10	150311	2	#10-16 x 3/4" Hex Head TEK Crimptite
11	816397	1	Electric Panel Stud Assembly

Back Panel and Guards



MAN7892

<u>Illus. No.</u>	<u>Part No.</u>	<u>Qty.</u>	<u>Description</u>
1	816404	1	Back Guard Assembly
2	816315	1	Heat Duct Cover
3	816394	1	Electrical Box
4	816304	1	Exhaust Transition Piece
5	816378	1	Rear Support Assembly
6	121521	2	Open Closed Bushing
7	321016	1	Bearing Spacer
8	100296	1	3 Bolt Flange Bearing with 25mm Bore
9	321012	1	Shaft Bearing Cover
10	153002	3	5/16" Lock Washer
11	152004	3	5/16-18 Hex Nut



MAN7898

<u>Illus. No.</u>	<u>Part No.</u>	<u>Qty.</u>	<u>Description</u>
1	817645	1	Top Panel for Top Controls
	817605	1	Top Panel for Bottom Controls
2	103500	4	Leveling Leg
3	816323	1	Stacking Kit (for bottom control only)

